

PRODUCT INFORMATION PACKET

Model No: 5K42HN4134

Catalog No: K426

1/2 HP General Purpose Motor, 3 phase, 1800 RPM, 575 V, 56 Frame, TEFC
Three Phase TEFC Motors



Regal and Marathon are trademarks of Regal Beloit Corporation or one of its affiliated companies.
©2020 Regal Beloit Corporation, All Rights Reserved. MC017097E

REGAL



Nameplate Specifications

Output HP	0.50 Hp	Output KW	0.37 kW
Frequency	60 Hz	Voltage	575 V
Current	0.8 A	Speed	1725 rpm
Service Factor	1.25	Phase	3
Efficiency	76.9 %	Power Factor	0
Duty	Continuous	Insulation Class	B
KVA Code	K	Frame	56
Enclosure	Totally Enclosed Fan Cooled	Thermal Protection	N/R
Ambient Temperature	40 °C	Drive End Bearing Size	6203
Opp Drive End Bearing Size	6203	UL	Recognized
CSA	Yes	CE	N

Technical Specifications

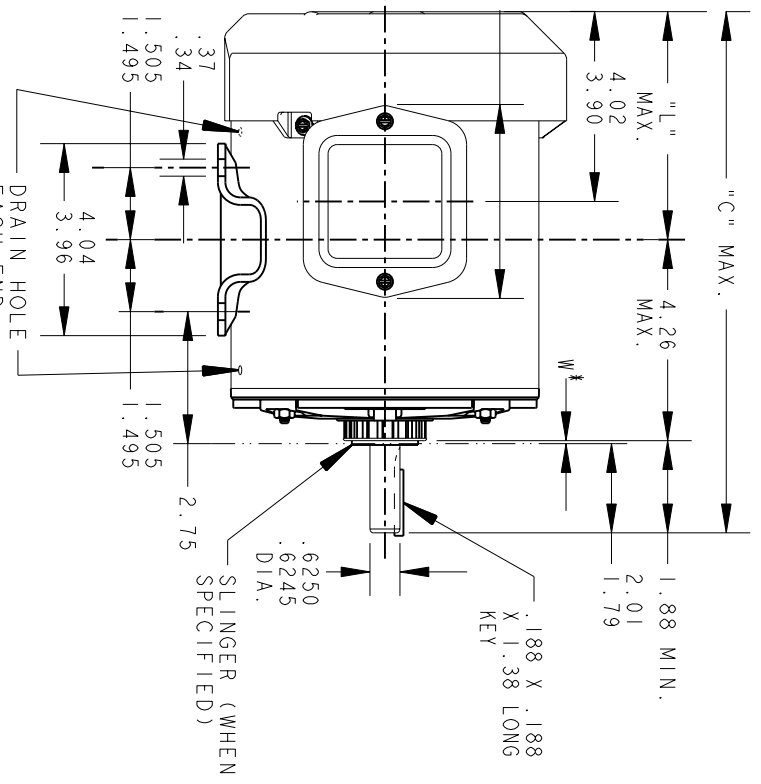
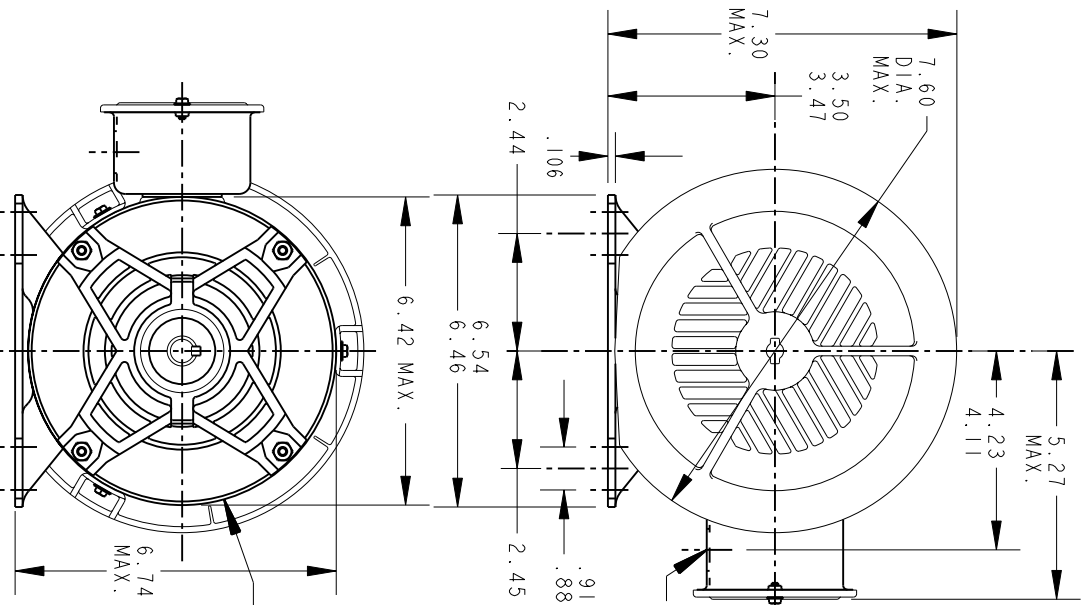
Electrical Type	Three Phase	Starting Method	N/R
Poles	4	Rotation	Counterclockwise/Clockwise
Mounting	Rigid Base	Motor Orientation	ANY
Drive End Bearing	BALL	Opp Drive End Bearing	Ball
Frame Material	Rolled Steel	Overall Length	11 in
Frame Length	5.72 in	Shaft Diameter	0.630 in
Shaft Extension	1.88 in		
Outline Drawing	52A107797P1	Connection Drawing	113A930FIG1

This is an uncontrolled document once printed or downloaded and is subject to change without notice. Date Created:03/11/2020

THIRD ANGLE PROJECTION



REVISIONS		DESCRIPTION	DATE	APPROVED
3		ADDED PART #5.	07/16/98	M.D. PAPE
4		CHG TO RBC FORMAT PER ISO5-11777	03/03/06	SUDHA



* W IS A VARIABLE CLEARANCE DUE TO VARIATIONS IN PARTS AND ASSEMBLY

VIEW OF P.E. END SHIELD

ALL DIMENSIONS ARE IN INCHES

5	4	3	2	1	P
K	K	K	K	K	K
49	49	46	49	42	GE
56	56	56	56	56	SIZE
12.43	10.73	11.83	11.43	11.00	NEMA "C"
6.28	4.47	5.68	5.28	4.85	FR. "L"
SIGNATURES		DATE			
MODEL M.D. PAPE		05/19/92			
DETAIL					
CHECKED					
ENGRG					
MFG					
QUALITY					
ISSUED		M.D. PAPE		05/19/92	
APPLIED PRACTICES					
DIMENSIONS ARE IN INCHES					
MATERIAL		SOLID MODEL: 52A107797			



REGAL-BELOTT CORPORATION

OUTLINE

GENERAL PURPOSE MOTOR TEFC - BALL BEARING - WELDED BASE FWF: 5K42HN4005 & 5K49KN4006

52A107797

REV 4

SCALE: 0.250 REF. No: .

SHEET 1 of 1

REVISIONS

REV.	DESCRIPTION	DATE	APPROVED
1	CHG TO RBC FORMAT PER IS05-1777	06/15/06	MADHU
2	RENAMED 113A930_FIG_1 TO 113A930FIG1 PER IS07-0972	05/08/07	MADHU

This document is the property of REGAL-BELOIT CORPORATION ("RBC") including its subsidiaries and divisions and contains proprietary information of RBC. This document is loaned on the express condition that neither the recipient nor any other person shall be permitted to check, copy, retransmit, reproduce, disseminate, or otherwise use this document without the express written permission of RBC. This document shall be returned to RBC upon its request. This document may be subject to certain restrictions under U.S. export control laws and regulations.

THIRD ANGLE PROJECTION

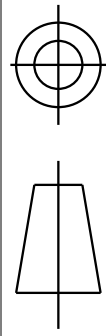
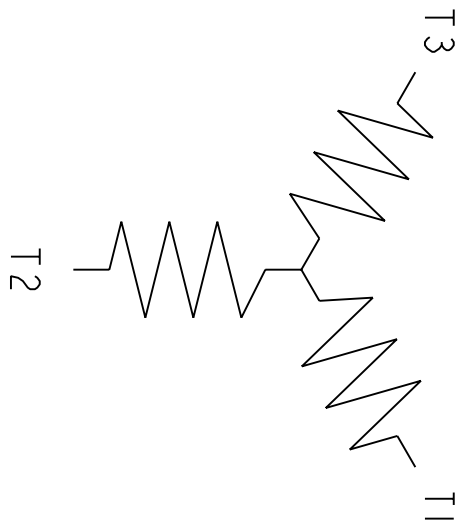


FIG. 1
3 PHASE



	VOLTS	L1	L2	L3
1Y	SINGLE	1	2	3

BRAKE MOTORS : CONNECT BRAKE LEADS
B1 & B2 TO ANY TWO
LINE LEADS.

FOR ADDITIONAL INFO REFER TO:		SIGNATURES		DATE
APPLIED PRACTICES	MODEL	M.D. PAPE	02/23/03	
DIMENSIONS ARE IN INCHES				
TOLERANCE ON:				
1 PL DECIMALS ± 0.1				
2 PL DECIMALS ± 0.02				
3 PL DECIMALS ± 0.005				
ANGLES ± 1.0				
FRACTIONS ±				
FINISH	QUALITY	M.D. PAPE	02/23/03	
	ISSUED			
MATERIAL	SOLID MODEL: 113A930FIG1			
<p>REGAL-BELOIT CORPORATION</p>		TITLE		
		CONNECTION DIAGRAM		
SIZE DRAWING		SCALE: 1.000 REF. No.:		
A		113A930FIG1		
		REV 2		
		SHEET 1 of 1		